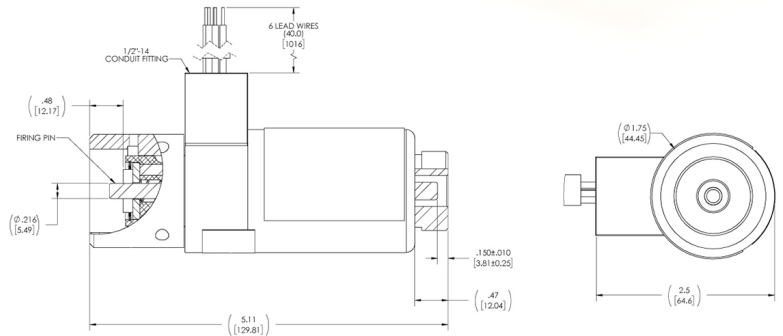
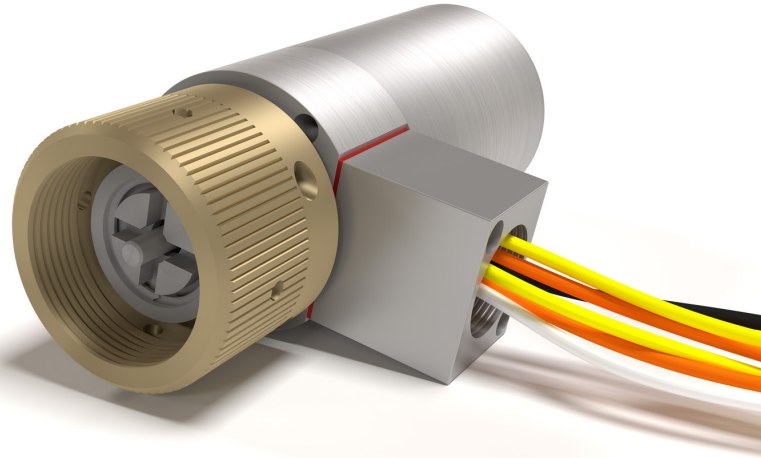


Supervised Latching Solenoid Actuator

The supervised latching solenoid actuator developed by TLX Technologies was designed to meet industry standard NFPA 2001, Sec. 4.3.4.1. from the National Fire Protection Association (NFPA) that is required on all clean-agent fire extinguishing systems. This regulation addresses the concern of proper installation of the actuator by providing the necessary supervision within the actuator to provide the installation technician with both a visible and audible check to ensure proper installation.

TLX's UL recognized and patented component allows for fully-engaged installation detection to be configured to a system's exact needs. The component is designed with an internal supervisory feature that eliminates the need for an additional component or electrical connection. Rugged construction, ultra-fast response and the ability to be reset ensures consistent performance over the solenoid's life span.



Features

- Fully-engaged installation detection
- Strongest actuation force for package size
- Ultra-fast response
- Integrated supervision with 6-wire standard
- Full metal enclosure with factory installed wiring
- Resettable for future use
- Component freely rotates for easy installation

Benefits

- Recognized component to UL 864
- Meets requirements of NFPA 2001, UL 864, UL 2166, UL 2127, & FM 5600
- Interfacing options available to meet system dimensional differences
- Designed to safeguard against tampering
- Optional manual actuation assembly and reset tool attachment

Typical Specifications

- Supply Voltage: 24 Vdc
- Operating Temperature Range: -20 to 55°C
- Manual Actuation Force: 53 N (12 lbs)
- Firing Pin Force: 53 N (12 lbs) Minimum
- Firing Current: 0.5 Amps
- Weight: 1.1 kg
- Body Diameter: 44.5 mm
- Length: 129.8 mm
- Length with Manual Cap: 173.5 mm

